

# Technical data sheet

Product features



Cooling counter GN1/1, 2x 1/2 drawer, without splash back, stainless steel, 230 V

<b>Model</b>	<b>SAP Code</b>	00006039
--------------	-----------------	----------



<b>SAP Code</b>	00006039	<b>Net Weight [kg]</b>	120.00
<b>Net Width [mm]</b>	1380	<b>Power electric [kW]</b>	0.320
<b>Net Depth [mm]</b>	700	<b>Loading</b>	230 V / 1N - 50 Hz
<b>Net Height [mm]</b>	850		

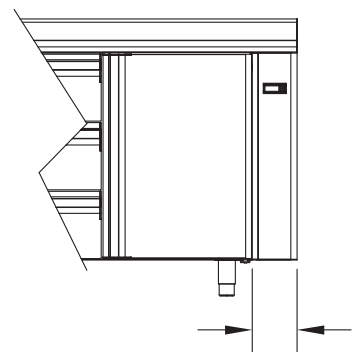
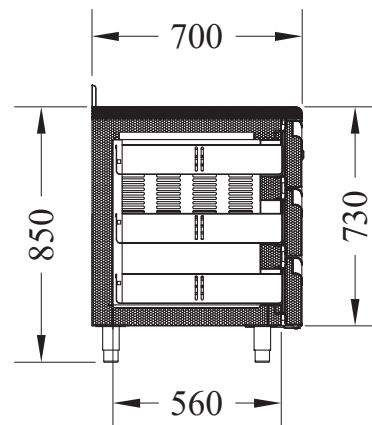
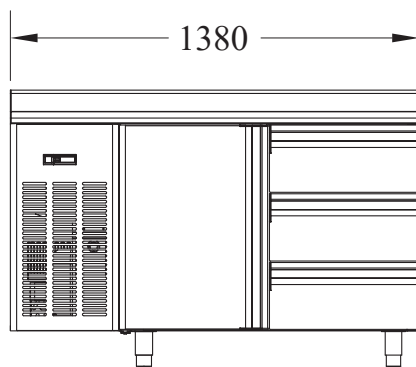
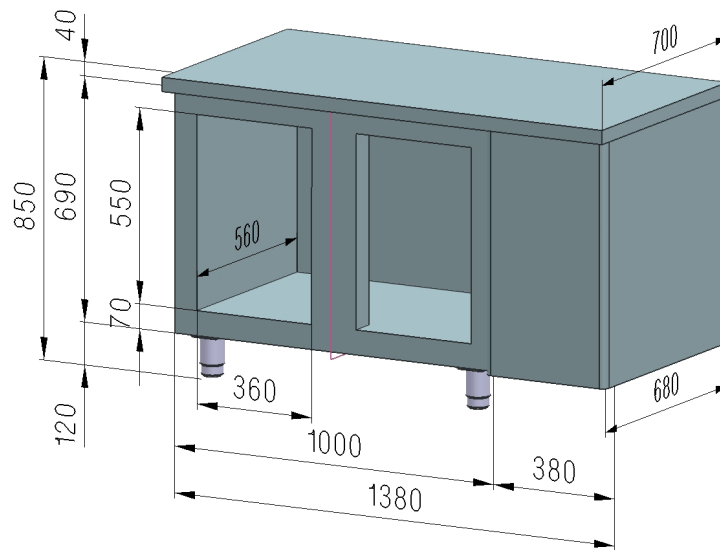
# Technical data sheet

Technical drawing



Cooling counter GN1/1, 2x 1/2 drawer, without splash back, stainless steel, 230 V

Model	SAP Code	00006039
-------	----------	----------



# Technical data sheet

Technical parameters



Cooling counter GN1/1, 2x 1/2 drawer, without splash back, stainless steel, 230 V

Model

SAP Code

00006039

**1. SAP Code:**

00006039

**8. Gross Height [mm]:**

900

**2. Net Width [mm]:**

1380

**9. Gross Weight [kg]:**

140.00

**3. Net Depth [mm]:**

700

**10. Power electric [kW]:**

0.320

**4. Net Height [mm]:**

850

**11. Loading:**

230 V / 1N - 50 Hz

**5. Net Weight [kg]:**

120.00

**12. Gross Volume [m3]:**

0.979

**6. Gross Width [mm]:**

1450

**13. Net Volume [m3]:**

0.821

**7. Gross depth [mm]:**

750